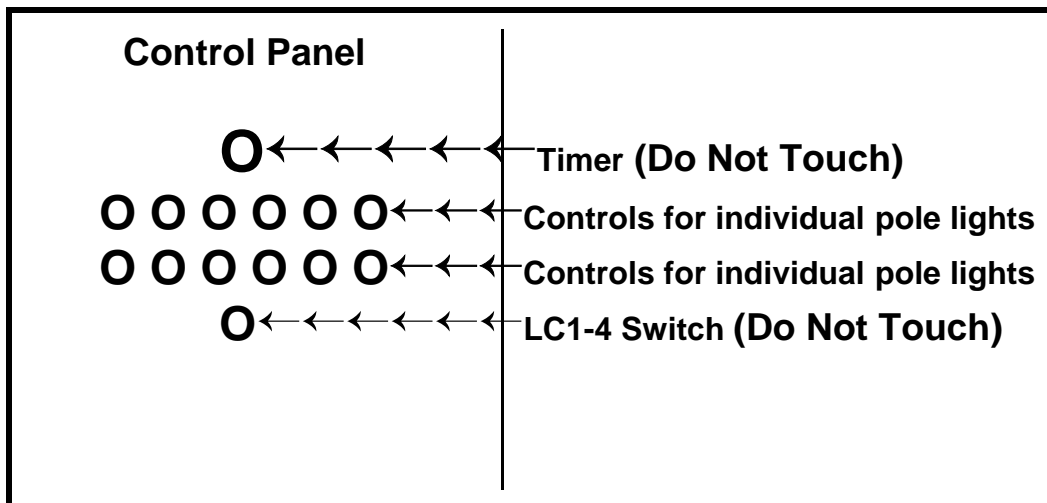


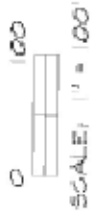
Wildwood Park Ballfield Lighting Instructions (Brookfield)

- ~ Cost to use the lights is \$25 an hour in addition to the \$5 for every 1.5 hours to reserve the field.
- ~ You will need to pick up a key and sign a waiver form at the Park Office (hours are Monday through Friday, 8 a.m. to 5 p.m.) just prior to your reservation to unlock the cabinet for access to the light switches. The key is to be returned to the Park Office the next work day.
- ~ The electrical box is located in the lawn, south of Ballfield #1 (Brookfield). The light controls are in the cabinet that faces to the east.
- ~ **PLEASE DO NOT TOUCH THE TIMER OR LC1-4 SWITCH WHICH IS TO BE LEFT IN THE "AUTO" POSITION.** (See diagrams below). This is to allow specific lights to be on at night and will automatically turn all lights off at daylight. Also, in order to conserve energy, please turn on only the individual pole lights that are necessary to light the area of the field being used and turn off all lights when done.

If you have any questions, please contact Linda Sheppard in the Park Division at 896-7800 or 624-0143. Thank you.



Wildwood Park



Ballfield #2

**Redbud
Picnic Area**

**Ballfield #1
(Brookfield)**

**Blue Oak
Picnic Area**

Playground

Electrical Box

